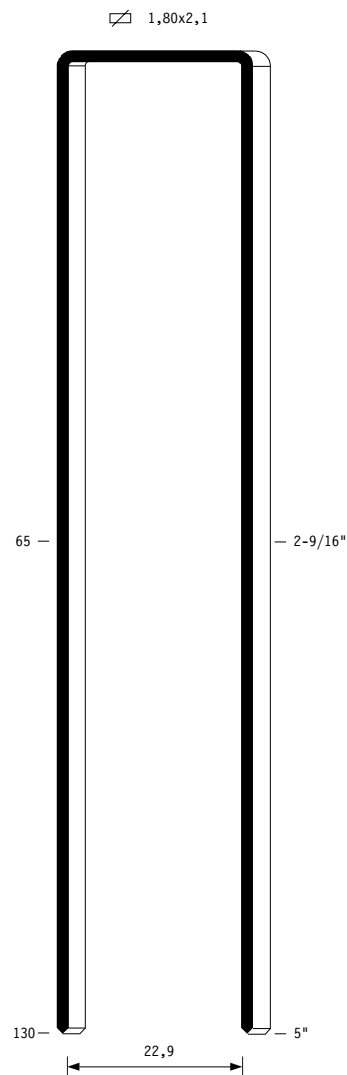
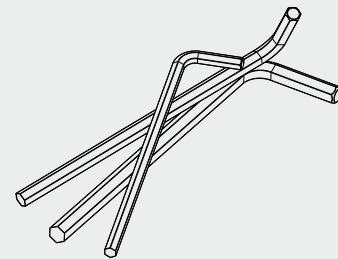
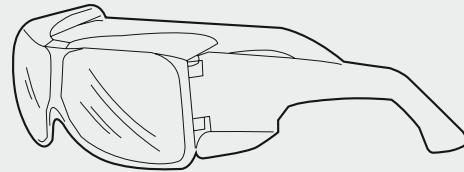
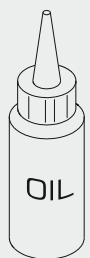


S29

Gauge: 14
Crown: 1.043" (1")

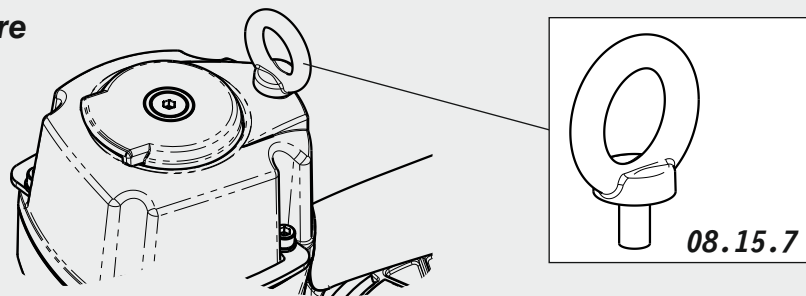


Dotazioni - Equipment



Accessori a richiesta - Upon request accessories

Supporto bilanciante Tool hanger



08.15.7



Manuale d'uso, manutenzione e parti di ricambio	Parte 2
Use, maintenance and spare parts manual	Part 2
Gebrauchsanweisung, Instandhaltungsrichtlinien und Ersatzteile	Teil 2
Manuel d'utilisation, entretien et pièces de rechange	Partie 2
Manual de uso, mantenimiento y repuestos	Part 2
Εγχειρίδιο χρήσης, συντήρησης και ανταλλακτικών	2° Μέρος
Manual de utilização, manutenção e partes sobresselentes	Parte 2
Handleiding voor gebruik, onderhoud en wisselstukken	Deel 2
Brugsanvisning, vedligeholdelse og reservedelsliste	Del 2

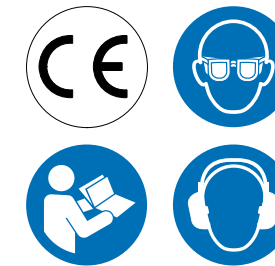


S29.130

cod. 195MS29130A1



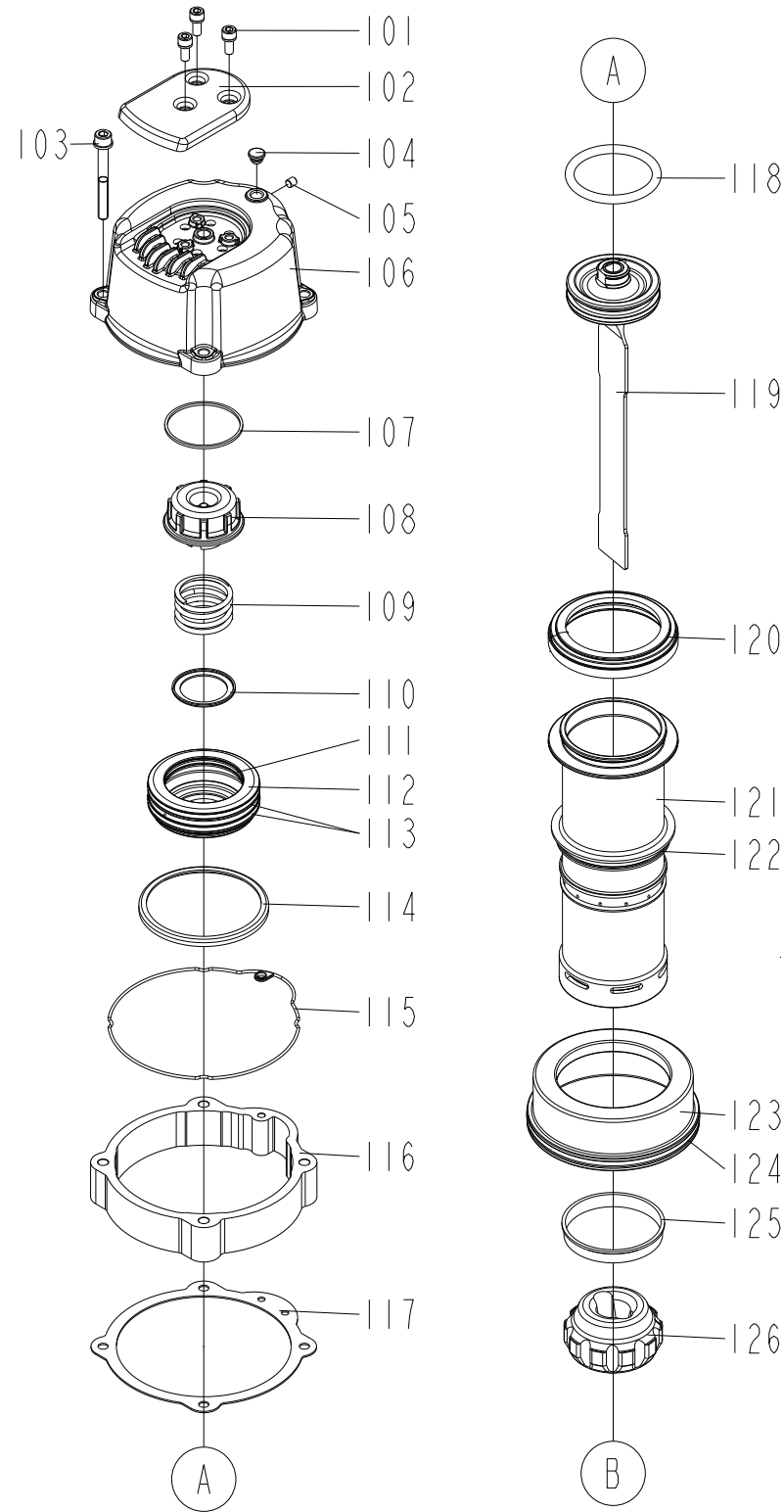
195MS29130A1_S29130_160320 IV



Dati tecnici Technical data Technische daten	Données techniques Datos técnicos Τεχνικά χαρακτηριστικά	Dados técnicos Technischegegevens Teknische data	
Misure impiegabili mm Usable lengths mm Gebrauchliche Längen mm	Mesures utilisables mm Medidas que se pueden emplear mm Διαστάσεις σε μμ	Medidas que se podem utilizar mm Te gebruiken lengtes in mm Brugbare laengder i mm	65 ÷ 130
Capacità caricatore n° punti Magazine capacity No. of fasteners Magazinkapazität Nägel	Capacité chargeur n° de points Capacidad cargador n° puntos Δυνατότητα γεμιστέρα, σπινδύτερος	Capacidade carregador n° pontos Capaciteit magazijn in aantal spijkers Kapacitet af magasin antal klemme	120
Pressione d'esercizio Working pressure Betriebsdruck	Pression de fonctionnement Presión de trabajo Πίεση λειτουργίας ατμ.	Pressao de trabalho Werkdruk Arbejds tryk bar	5 ÷ 8 bar 70 ÷ 115 psi
Consumo aria litri/colpo Air consumption litres/shot Luftverbrauch Liter/Schlag	Consommation air litre/coup Consumo aire-litros/golpe Καταναλοση αερα λ/ξτπημα	Consumo ar litro/golpe Luchtverbruik liter/schot Luftforbrug liter/skud	2,93
Peso kg Weight kg Gewicht kg	Poids kg Peso kg Βαρος κγ	Peso kg Gewicht in kg Vægt kg	5,85
Dimensioni (AxBxH) mm Dimensions mm Größe mm	Dimension mm Dimensiones mm Δυνατότητα γεμιστέρα, σπινδύτερος	Dimencoes mm Afmetingen in mm Dimensioner mm	400x133x397
EN 12549 :1999 ISO 11201 :1995			
Pressione sonora in pos. operatore Sound pressure at the workstation Lärmintensität am Arbeitsplatz	Pression acoustique près de l'opérateur Presión sonora en posición encargado Ακουστική πίεση στη θέση χειριστού	Intensidade sonora perto do operador Geluidssterkte op de werkplek Lydstyrke på operatorposten	L_{pA,1s} (Rif. 20μPa) 103,7 dB(A)
EN 12549 :1999 ISO 3744 :1994			
Potenza sonora emessa Emitted sound power Ausgestrahlte Lärmintensität	Puissance acoustique émise Potencia sonora emitida Ακουστική ισχυ	Potência sonora emitida Uitgestraalde geluidssterkte Udsendt lydstryrke	L_{WA,1s} (Rif. 1pW) 90,7 dB(A)
EN 28662 :1992 ISO 5349 :1986 ISO 8662 -11			
Valore medio ponderato di vibrazione sull'impugnatura max.33 colpi Weighted mean value of vibration on the grip max.33 shots Mitteler Vibrationswert, am Griff gemessen max.33 Schläge	Valeur moyenne pondérée de vibration mesurée sur la poignée max.33 coups Valor medio ponderado de vibracion medida en la empunadura max.33 golp Μεσος ορος μετρησης κραδασμων στη χειρολαβη μαξ.33 ξτπημα	Valor medio ponderado de vibracao medida no punho max.33 golpes Gewogen gemiddelde vibratiewaarde max.33 schot Middelvaardi af vibrationer på handtaget max.33 skud	2,86 m/s²

Ref. No. Part No. Description

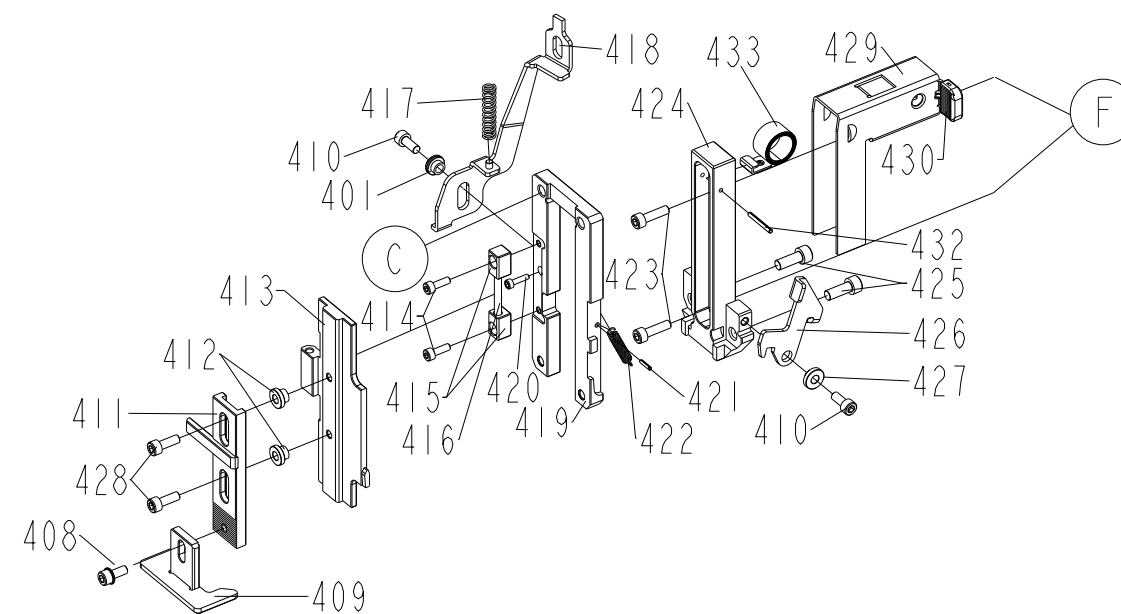
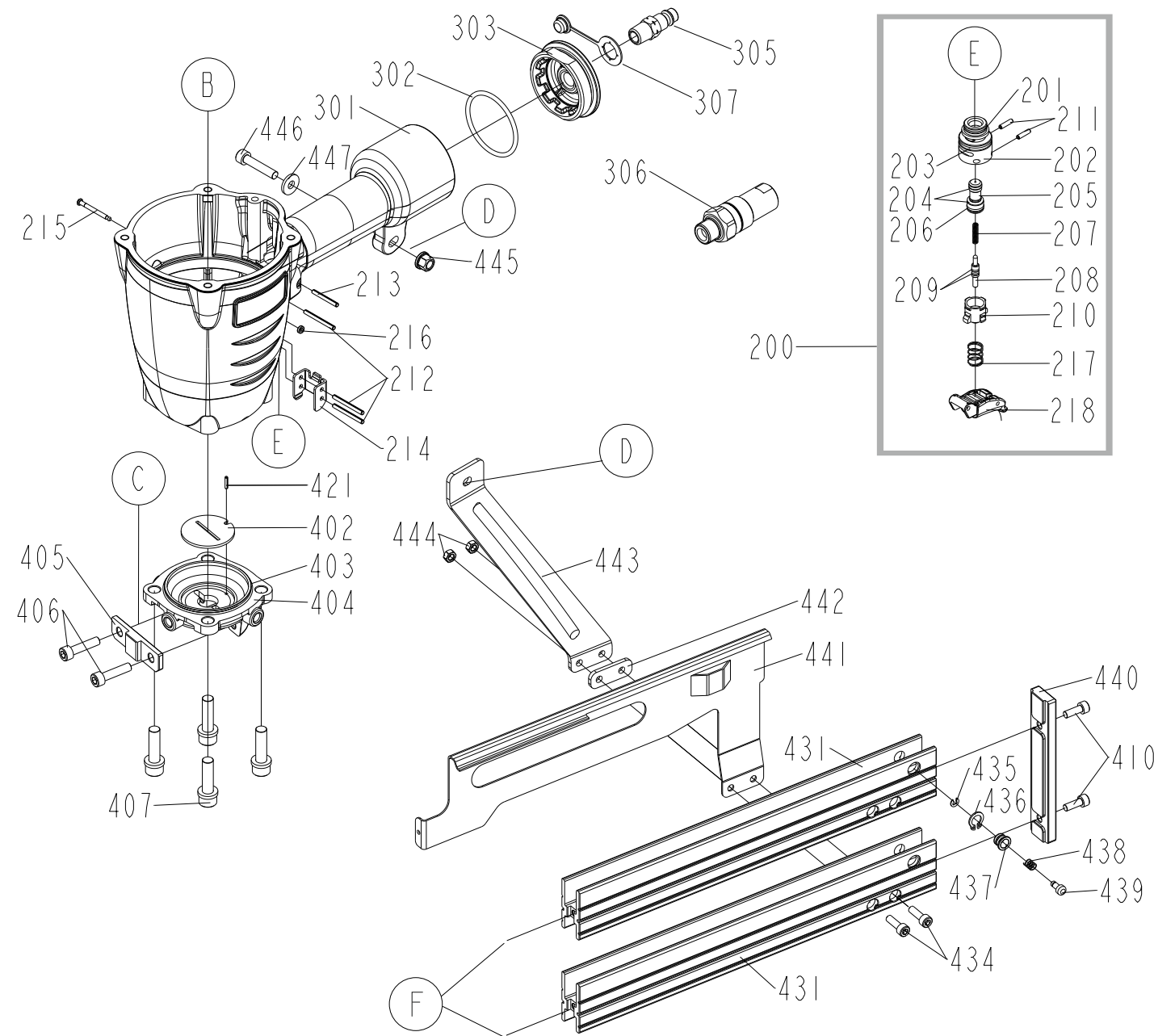
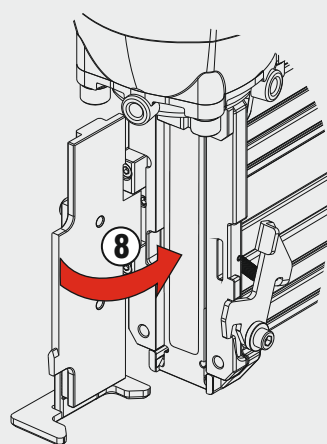
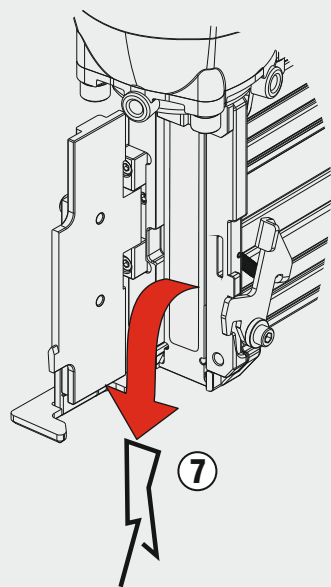
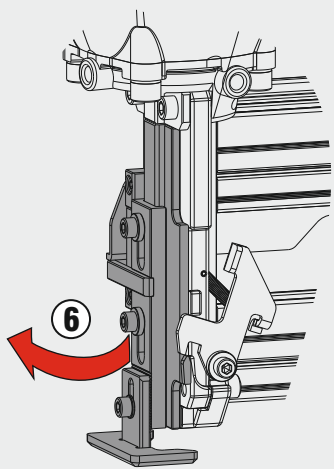
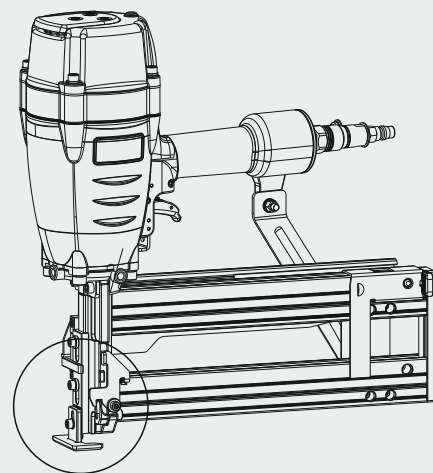
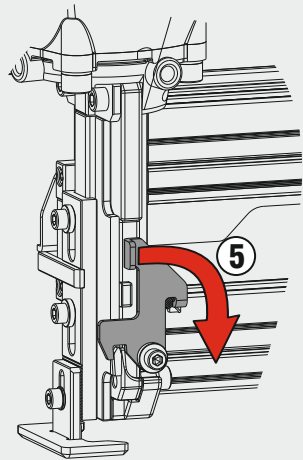
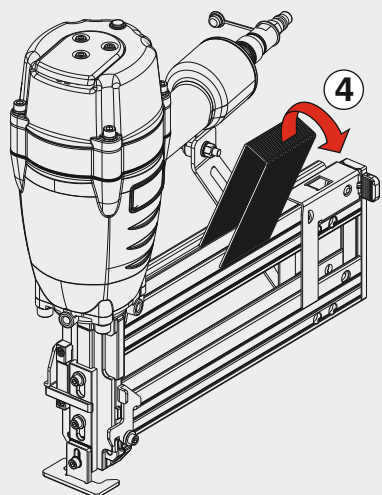
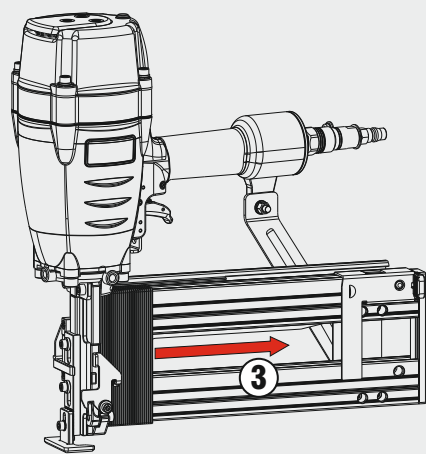
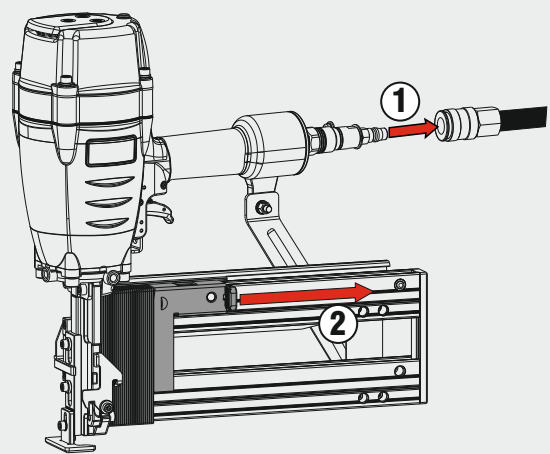
101	2MS29130-A101	Bolt Assy
102	2MS29130-A102	Deflector
103	2MS29130-A103	Bolt Assy
104	2MS29130-A104	Grommet
105	2MS29130-A105	Hex. Soc. Hd. Screw
106	2MS29130-A106	Cap
107	2MS29130-A107	Gasket
108	2MS29130-A108	Seal
109	2MS29130-A109	Compression Spring
110	2MS29130-A110	Washer
111	2MS29130-A111	O-Ring
112	2MS29130-A112	Hd. Valve Piston
113	2MS29130-A113	O-Ring
114	2MCN3390-A131	Press Ring
115	2MS29130-A115	Cylinder Cap Seal
116	2MS29130-A116	Cap
117	2MS29130-A117	Gasket
118	2MS29130-A118	O-Ring
119	2MS29130-A119	Driver Unit
120	2MS29130-A120	Collar
121	2MS29130-A121	Cylinder
122	2MS29130-A122	O-Ring
123	2MS29130-A123	Cylinder Spacer
124	2MS29130-A124	O-Ring
125	2MCN3390-A127	Cylinder Ring
126	2MS29130-A126	Bumper
200	2MCN3165-A200	Trigger Valve Unit
201	2MCN3165-A201	O-Ring
202	2MCN3165-A203	Plunger Cap
203	2MCN3165-A202	O-Ring
204	2MCN3165-A205	O-Ring
205	2MSN3165-A204	Valve Plunger
206	2MCN3165-A206	O-Ring
207	2MCN3165-A207	Spring
208	2MCN2550-A208	Plunger
209	2MCN3165-A209	O-Ring
210	2MCN3165-A210	Trigger Valve Head
211	2MCN3165-A211	Spring Pin
212	2MCN3165-A213	Spring Pin
213	2MA34100-A442	Spring Pin
214	2MS29130-A214	Safety Guide
215	2MCN3390-A216	Trigger Pivot Pin
216	2MCN3165-A416	Urethane Retainer
217	2MCN2550-A214	Spring
218	2MS29130-A218	Trigger Unit
301	2MS29130-A301	Gun Body Unit
302	2MCN3165-A120	O-Ring
303	2MS29130-A303	End Cap
305	2MCN3165-A305	Air Plug
306	2MS29130-A306	Valve Unit
307	2MCN3165-A304	Dusty Cover
401	2MS29130-A401	Latch Spring Bushing
402	2MS29130-A402	Driver Guide
403	2MS29130-A403	O-Ring
404	2MS29130-A404	Base
405	2MS29130-A405	Driver Guide Cover
406	2MCN3165-A429	Hex. Soc. Hd. Screw
407	2MCN3390-A404	Bolt Assy
408	2MS29160-A408	Bolt Flat Washer
409	2MS29130-A409	Safety Unit
410	2MCN3165-A101	Hex. Soc. Hd. Bolt
411	2MS29130-A411	Anchor
412	2MS29130-A412	Latch Spring Bushing
413	2MS29130-A413	Driver Guide Cover
414	2MS29130-A414	Hex. Soc. Hd. Bolt
415	2MS29130-A415	Anchor Block
416	2MS29130-A416	Pin
417	2MS29130-A417	Safety Spring
418	2MS29130-A418	Safety B Unit
419	2MS29130-A419	Driver Guide
420	2MS29160-A420	Hex. Soc. Hd. Bolt
421	2MS29130-A421	Spring Pin
422	2MS29130-A422	Pull Spring
423	2MS29130-A423	Hex. Soc. Hd. Bolt
424	2MS29130-A424	Driver Guide
425	2MS29130-A425	Hex. Soc. Hd. Bolt
426	2MS29130-A426	Latch
427	2MS29130-A427	Latch Spring Bushing
428	2MS29130-A428	Hex. Soc. Hd. Bolt
429	2MS29130-A429	Pusher
430	2MS29130-A430	Pusher Cushion
431	2MS29130-A431	Magazine A
432	2MS29130-A432	Spring Pin
433	2MS29130-A433	Spring Unit



434	2MS29130-A434	Hex. Soc. Hd. Bolt
435	2MS29130-A435	E-Ring
436	2MS29130-A436	Snap Ring
437	2MS29130-A437	Door Latch Cover
438	2MS29130-A438	Latch Spring
439	2MS29130-A439	Door Latch
440	2MS29130-A440	Rear Plate
441	2MS29130-A441	Staplers Bracket
442	2MS29130-A442	Gasket
443	2MS29130-A443	Bracket Unit
444	2MCN3165-A454	Lock Nut
445	2MCN2970-A442	Bolt Cap
446	2MSN2913-A408	Hex. Soc. Hd. Bolt
447	2MSN2913-A409	Flat Washer

Note - Notes

Disinceppamento - Jam clearing



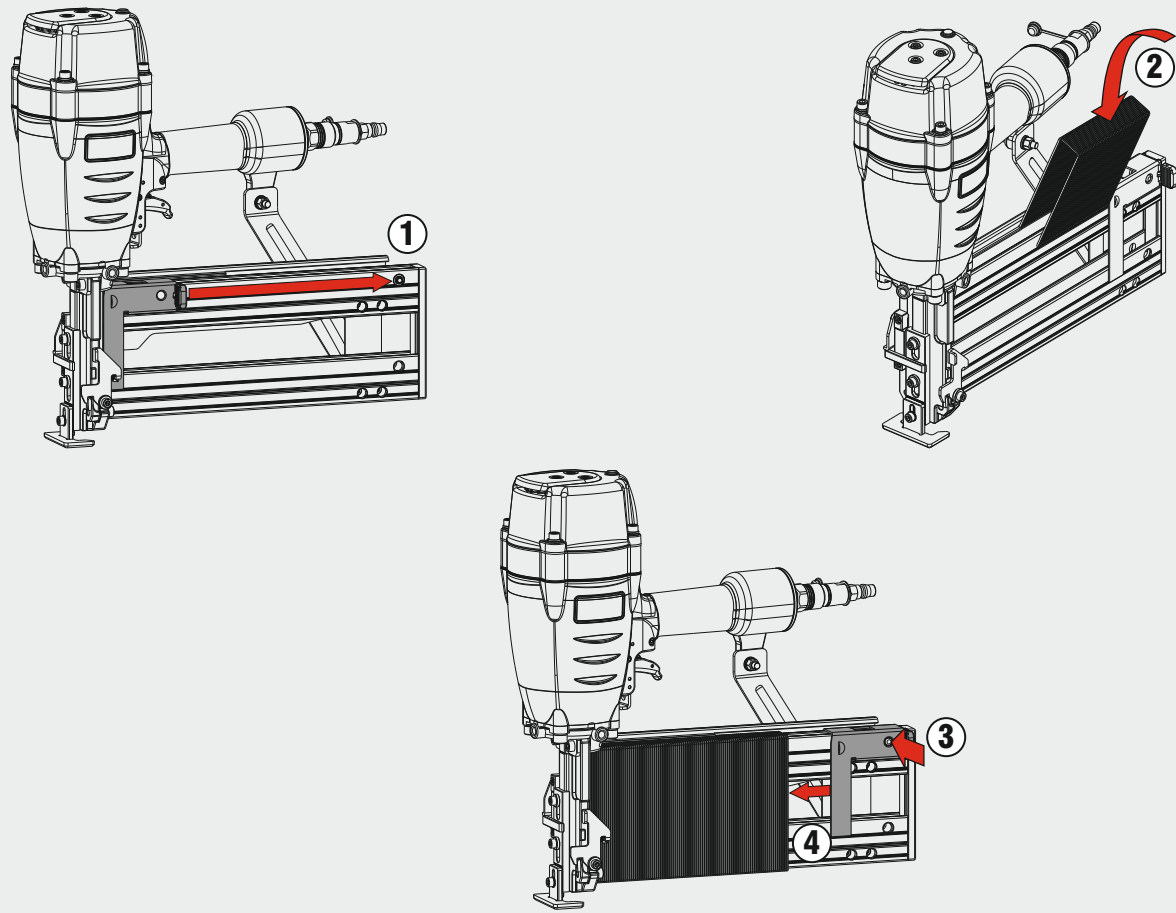
S29.130

cod. 195MS29130A1

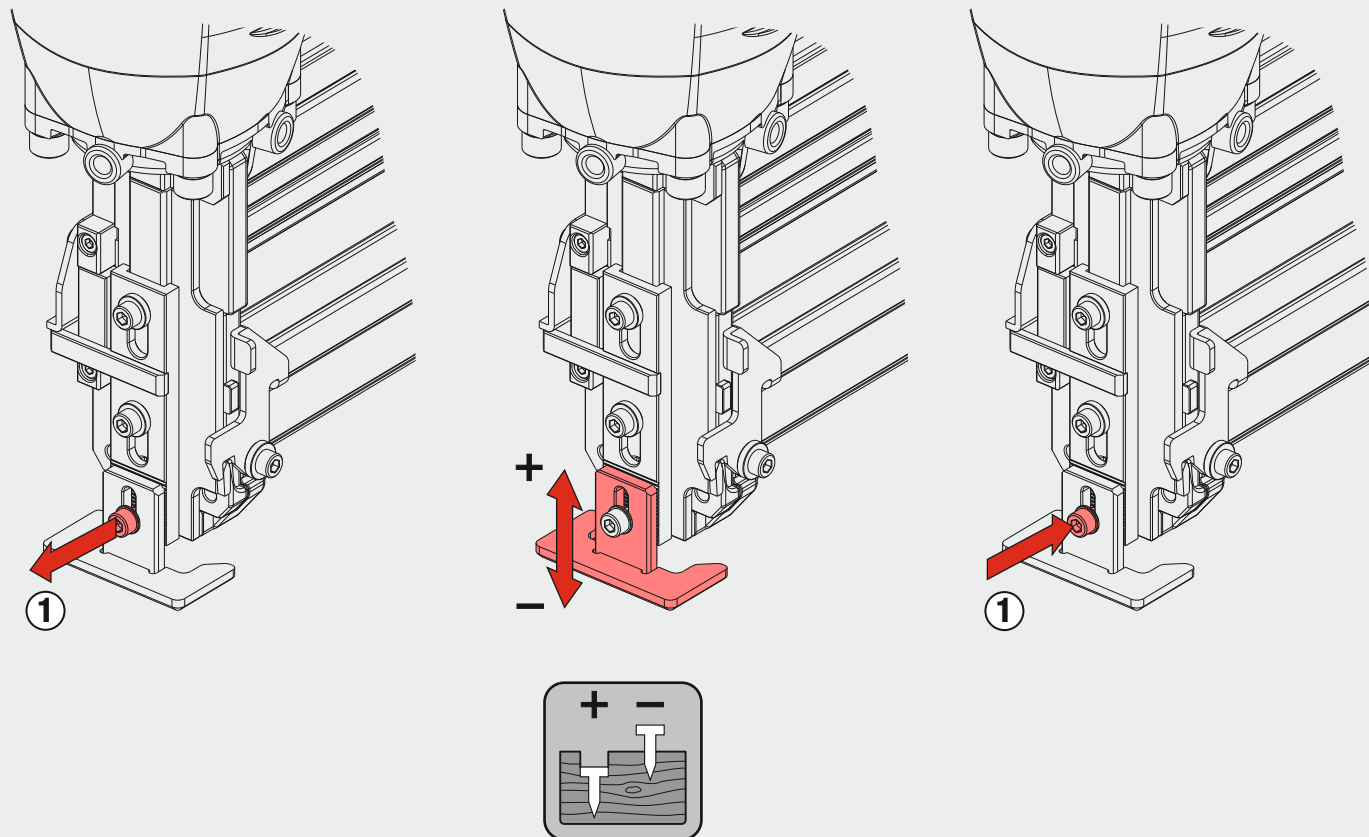
Indice di modifica
Upgrade number

A1

Caricamento - Loading



Regolazione profondita - Depth adjustment



Azionamento - Actuation

Azionamento sequenziale singolo Single sequential actuation

