



NS20XP

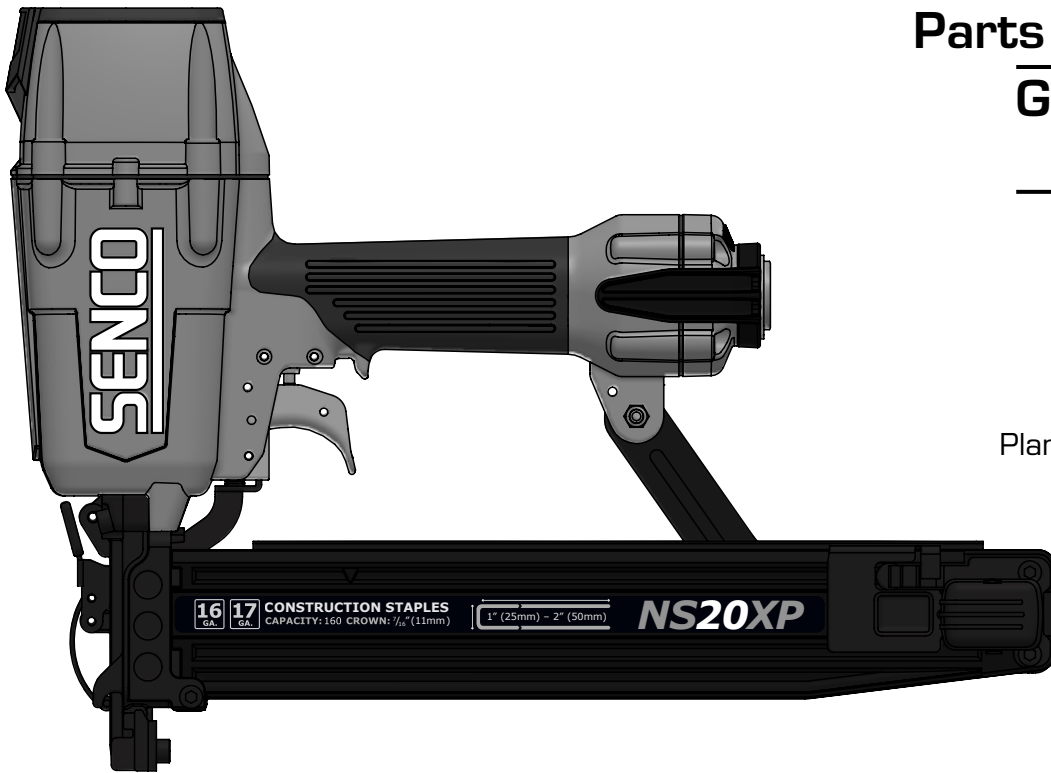
Construction Stapler

Parts Reference Guide

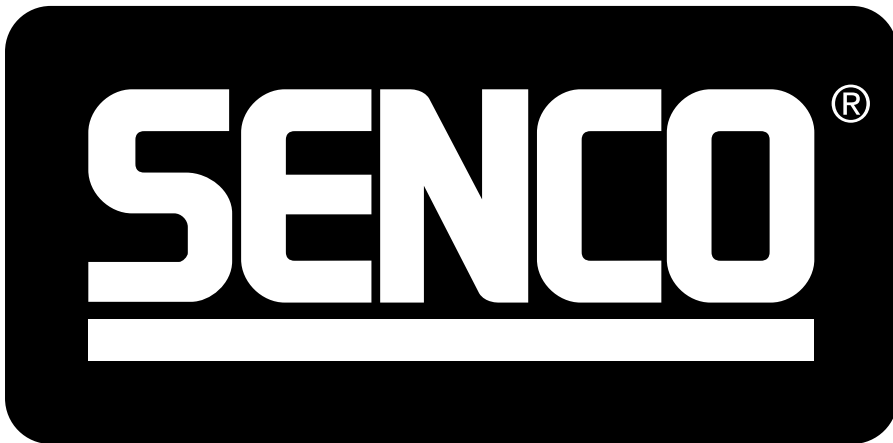
**Guía de referencia
de piezas**

**Pièces Guide
de référence**

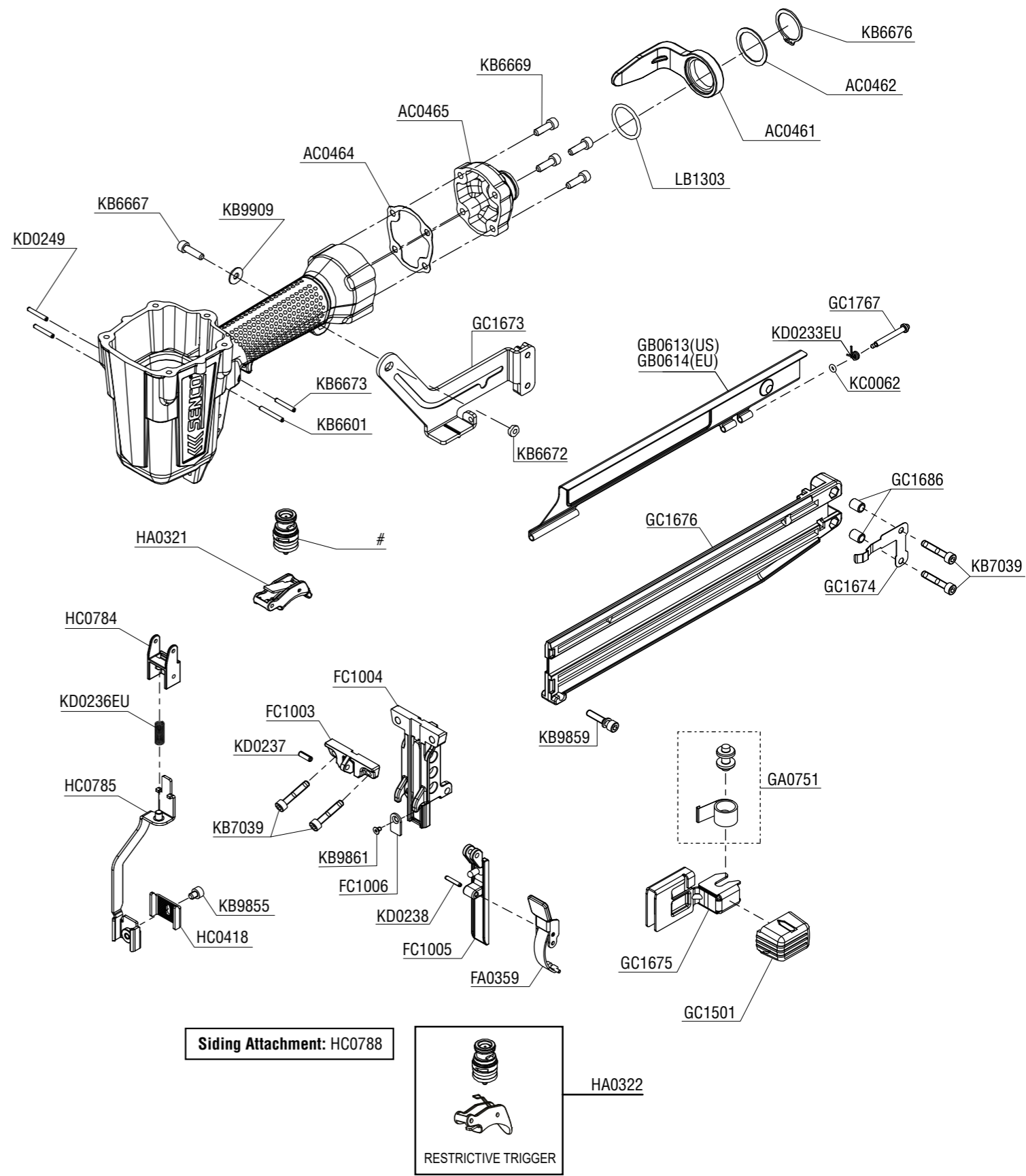
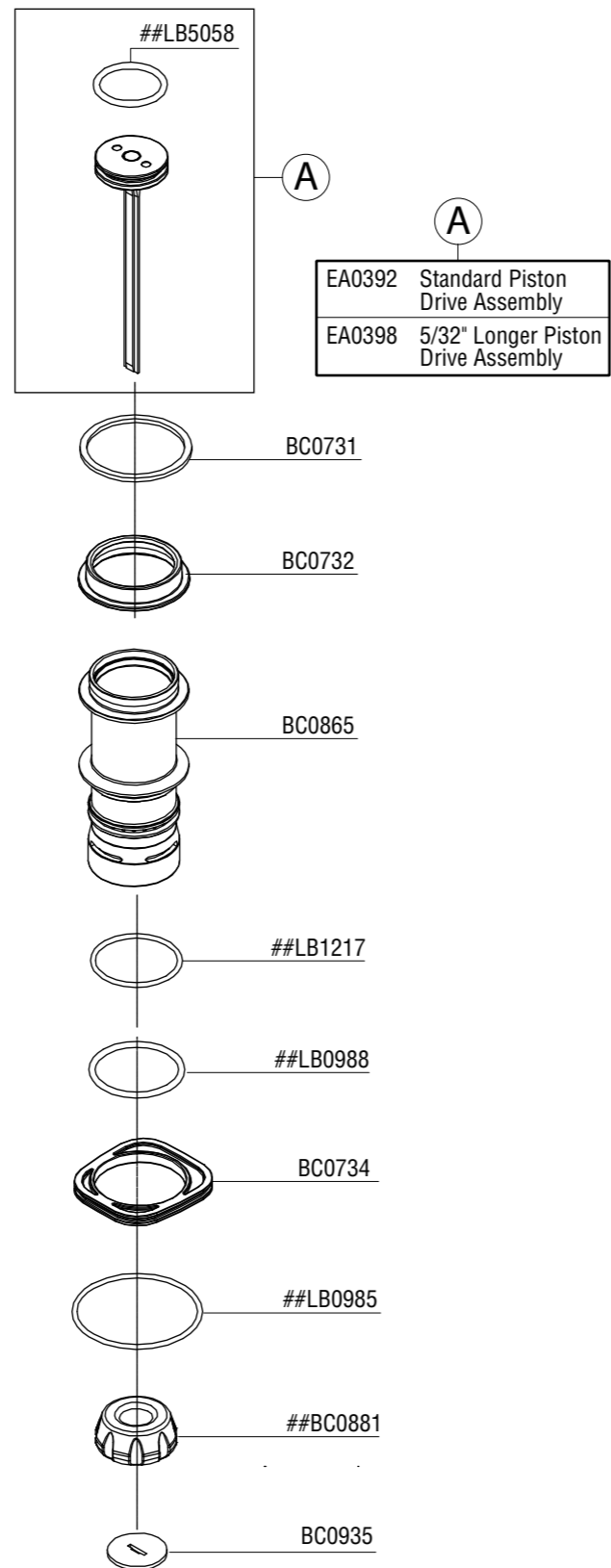
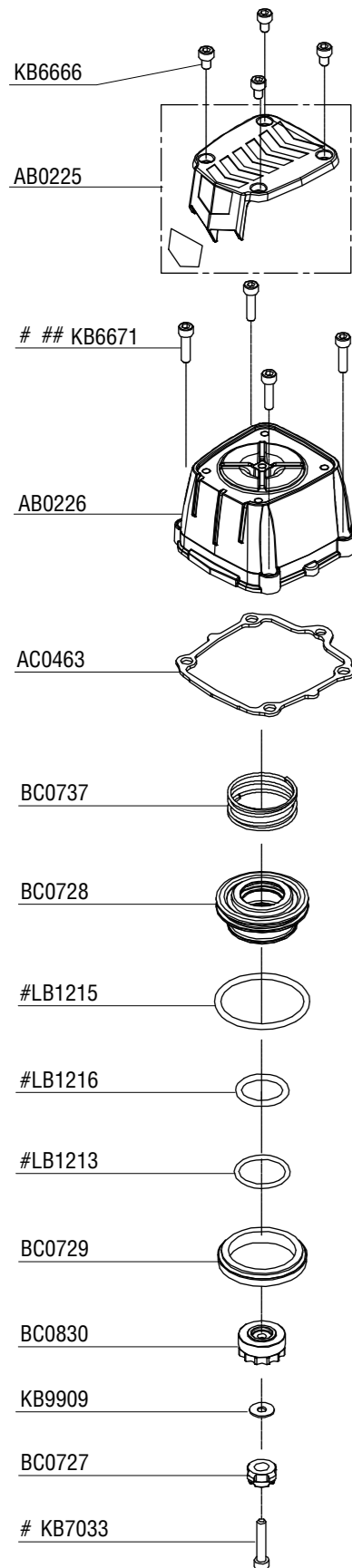
Schematic Drawings Inside
Plano esquemático en el interior
Schéma intérieur



Repair Kits
YK0840
YK0841



| Tool # | Model |
|---------|-------------------|
| 9X0001N | Contact-Actuation |
| 9X2001N | Contact-Actuation |



Contents Of YK0840 Repair Kit
 ## Contents Of YK0841 Repair Kit

Siding Attachment: HC0788

REPLACEMENT PARTS LIST • LISTA DE PARTES DE REPUESTO • LISTE DE PIÈCES DE RECHANGE

| PART NO. | DESCRIPTION | DESCRIPCIÓN | DÉSIGNATION |
|------------|----------------------------------|-------------------------------------|-------------------------------|
| AB0225 | COVER, EXHAUST | CUBIERTA | COUVERCLE |
| AB0226 | CAP | TAPA | BOUCHON |
| AC0461 | BELT HOOK | GANCHO DE CINTURÓN | CROCHET DE CEINTURE |
| AC0462 | WASHER | ARANDELA | RONDELLE |
| AC0463 | GASKET | SEAL | JOINT |
| AC0464 | GASKET | SEAL | JOINT |
| AC0465 | END CAP | TAPA TERMINAL | BOUCHON D'EXTRÉMITÉ DE RAIL |
| BC0727 | STOP | TOPPE | ARRÊT |
| BC0728 | VALVE | VÁLVULA | VALVE |
| BC0729 | SEAL, FIRING VALVE | SELLO, VÁLVULA QUE ENCIENDE | VALVE |
| BC0731 | WASHER | ARANDELA | RONDELLE |
| BC0732 | SEAL | SELLO | JOINT |
| BC0734 | PLATE | PLACA | PLAQUE |
| BC0737 | SPRING | RESORTE | RESSORT |
| BC0830 | VALVE, EXHAUST | VÁLVULA | VALVE |
| BC0865 | CYLINDER SLEEVE | CILINDRO | CYLINDRE |
| BC0881 | STOP | TOPPE | ARRÊT |
| BC0935 | DRIVER SEAL PLATE | PLACA DEL SELLO DEL PROGRAMA PILOTO | PLAT DE JOINT DE GESTIONNAIRE |
| EA0392 | PISTON / DRIVER ASY | PERCUSOR | COUTEAU |
| EA0398 | PISTON / DRIVER ASY | PERCUSOR | COUTEAU |
| FA0359 | LATCH ASY | MONTAJE DEL CIERRE | ASY DE VERROU |
| FC1003 | PLATE | PLACA | PLAQUE |
| FC1004 | BACK PLATE | PLACA | PLAQUE |
| FC1005 | FRONT PLATE | PLACA | PLAQUE |
| FC1006 | PLATE | PLACA | PLAQUE |
| GA0751 | SPRING ROLLER | RODILLO | GALET |
| GB0613(US) | MAGAZINE COVER (US) | CUBIERTA | COUVERCLE |
| GB0614(EU) | MAGAZINE COVER (CE) | CUBIERTA | COUVERCLE |
| GC1501 | GRIP | AGARRADERO | GAINÉ EN CUIR |
| GC1673 | BRACKET, MAGAZINE | SOORTE | SUPPORT DE FIXATION |
| GC1674 | DETAINER | RETENEDOR | ARRÊT |
| GC1675 | FEEDER | ALIMENTADOR | POUSSOIR |
| GC1676 | MAGAZINE ASY | ASAMBLE DE CARGADOR | MAGASIN D'ASSEMBLÉE |
| GC1686 | SPACER | ESPACIADOR | ENTRETOISE |
| GC1767 | PIN | PASADOR | GOUPILLE |
| HA0321 | TRIGGER ASSY (contact-actuation) | ASAMBLE DE GATILLO | ENSEMBLE GÂCHETTE |
| HA0322 | TRIGGER ASSY (restrictive) | ASAMBLE DE GATILLO | ENSEMBLE GÂCHETTE |
| HC0418 | COVER | CUBIERTA | COUVERCLE |
| HC0784 | GUIDE, SAFETY | GUÍA | GUIDE |
| HC0785 | SAFETY ELEMENT | SEGURO | PALPEUR DE SÉCURITÉ |
| HC0788 | SIDING ATTACHMENT | CONEXIÓN DEL APARTADERO | CONNEXION DE VOIE DE GARAGE |
| KB6601 | PIN | PASADOR | GOUPILLE |
| KB6666 | SCREW M5*8 | TORNILLO | VIS |
| KB6667 | SCREW M5*18 | TORNILLO | VIS |
| KB6669 | SCREW M5 | TORNILLO | VIS |
| KB6672 | NUT | TUERCA | ÉCROU |
| KB6673 | PIN | PASADOR | GOUPILLE |
| KB6676 | SNAP RING | ANILLO DE RETENCIÓN | ANNEAU RESSORT |
| KB7033 | SCREW | TORNILLO | VIS |
| KB7039 | SCREW M5*28 | TORNILLO | VIS |
| KB9855 | SCREW | TORNILLO | VIS |
| KB9859 | SCREW | TORNILLO | VIS |
| KB9861 | SCREW | TORNILLO | VIS |
| KB9909 | WASHER 14*1T | ARANDELA | RONDELLE |
| KD0233EU | SPRING | RESORTE | RESSORT |
| KD0236EU | SPRING | RESORTE | RESSORT |
| KD0237 | PIN | PASADOR | GOUPILLE |
| KD0238 | PIN | PASADOR | GOUPILLE |
| KD0249 | PIN | PASADOR | GOUPILLE |
| LB0985 | O-RING | SELLO | JOINT |
| LB0988 | O-RING | SELLO | JOINT |
| LB1213 | O-RING | SELLO | JOINT |
| LB1215 | O-RING | SELLO | JOINT |
| LB1216 | O-RING | SELLO | JOINT |
| LB1217 | O-RING | SELLO | JOINT |
| LB1303 | O-RING 24.5*3 | SELLO | JOINT |
| LB5058 | O-RING | SELLO | JOINT |